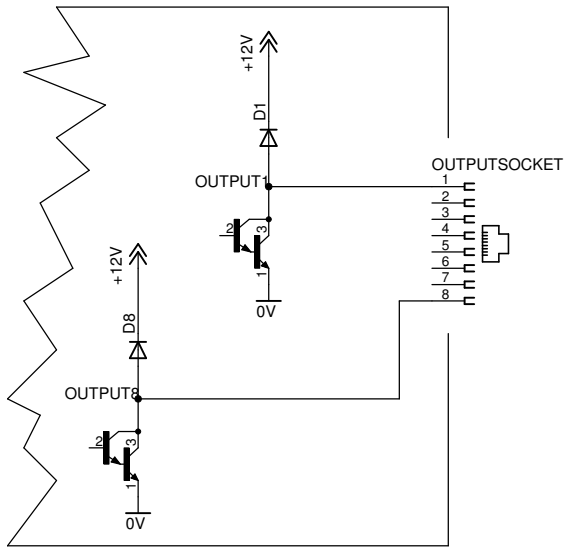
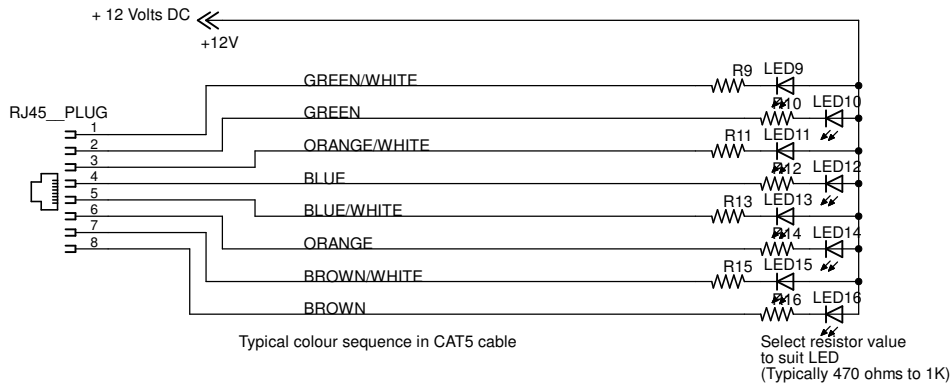
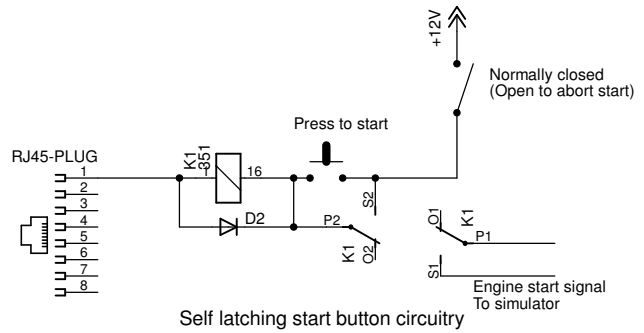
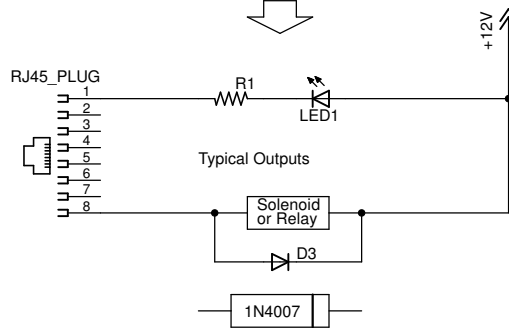
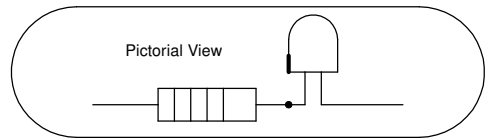


Typical Connections

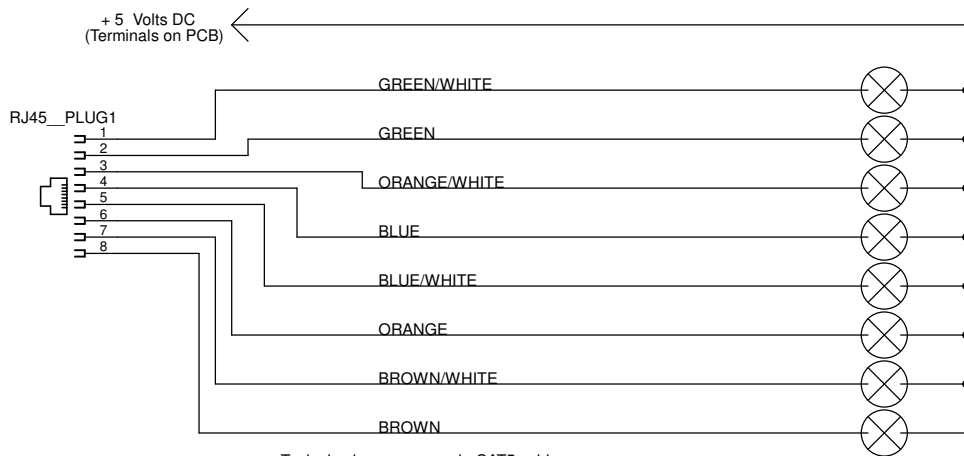


Transistor output circuitry on Ruscool 64 Output PCB



Self latching start button circuitry

5 Volt Special Board



Korry Lamps (5Volt)